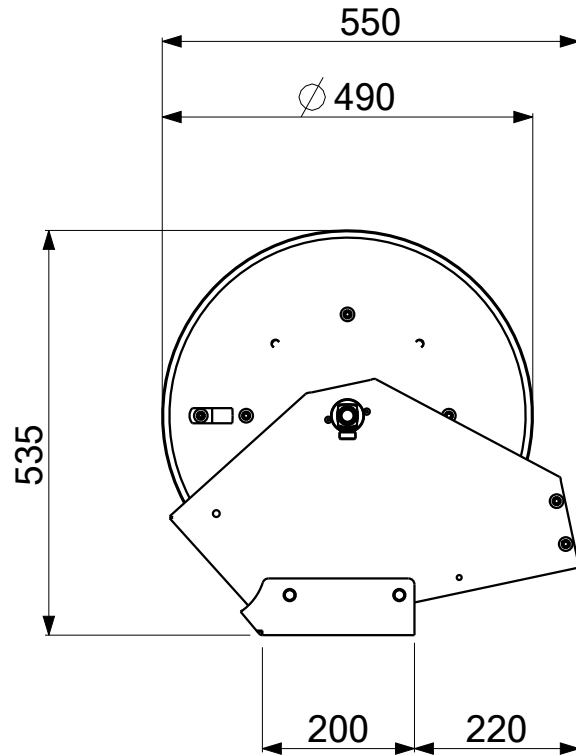
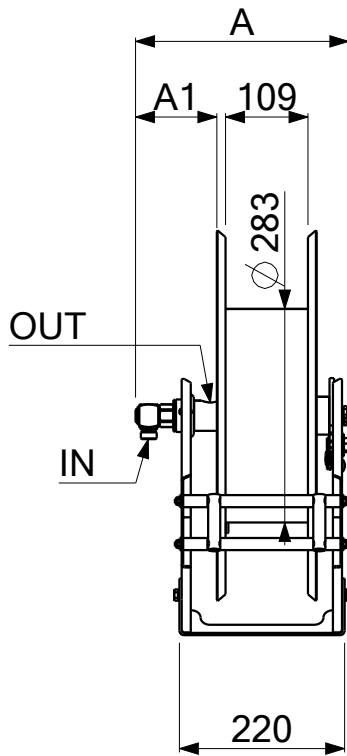
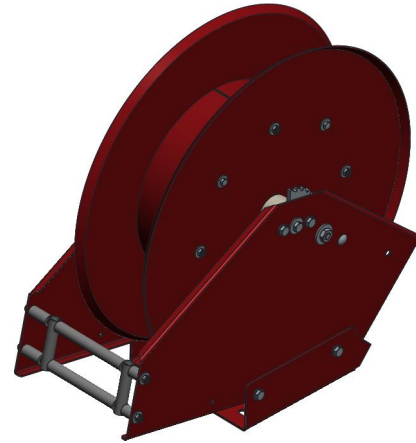
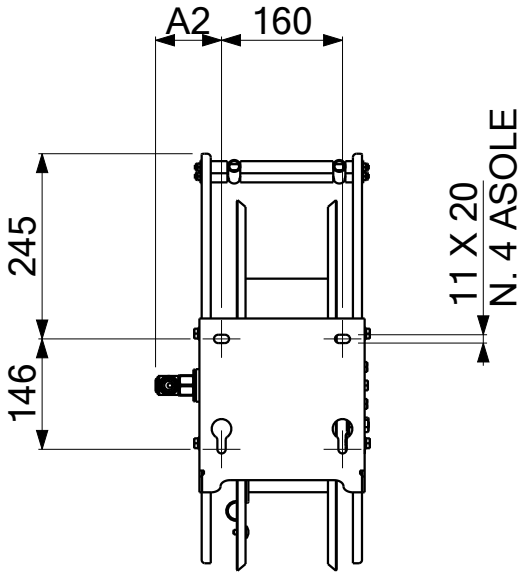


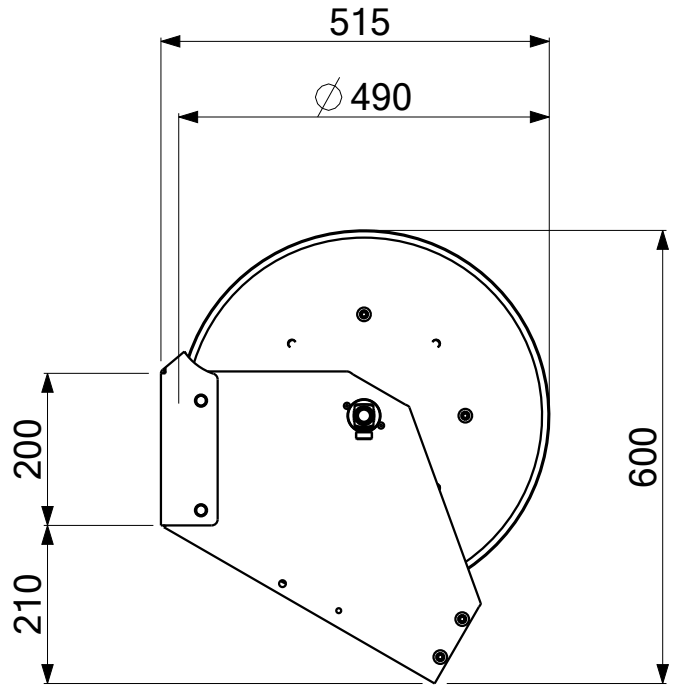
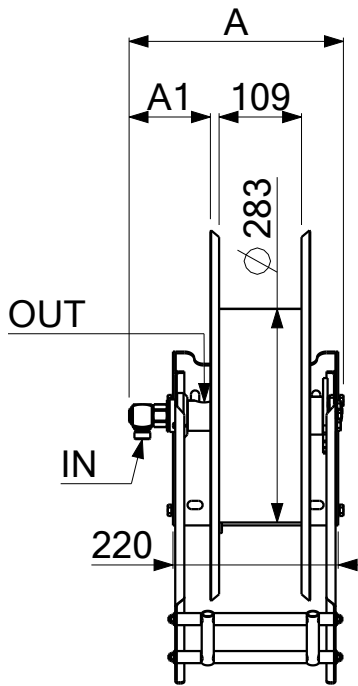
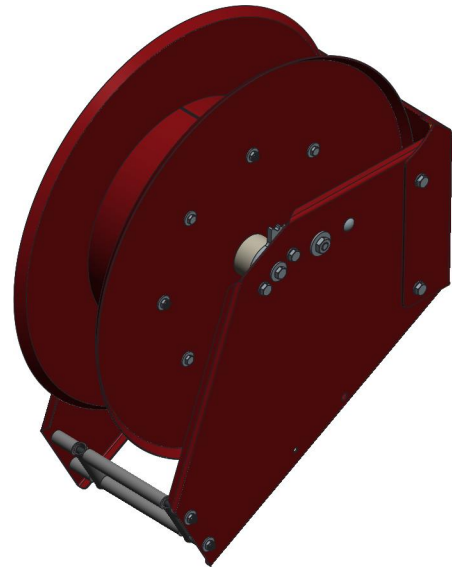
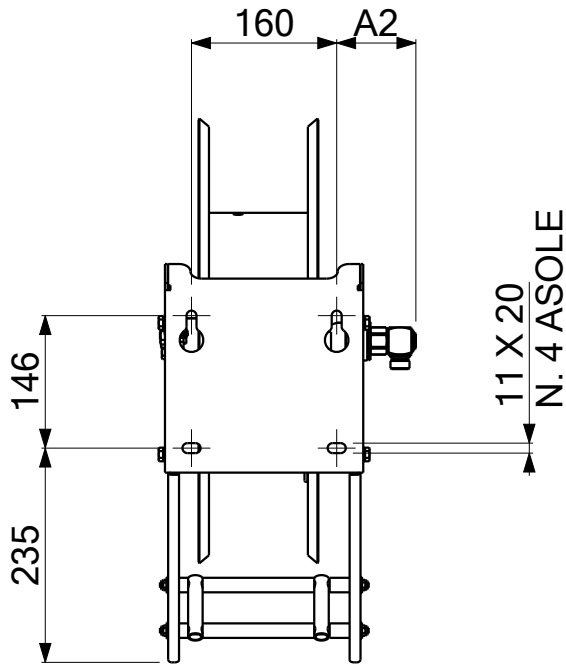
# AUTO A2 - POS. A (REV. A)



Codice <i>Code</i>	Lunghezza e diametro tubo consigliati <i>Recommended hose length and diameter</i>	Raccordi <i>Connection</i>		Pressione <i>Pressure</i>	Temperatura massima <i>Maximum temperature</i>	Dimensioni <i>Dimensions (mm)</i>			<i>Peso Weight</i>
		IN	OUT			bar	°C	A	
500.015.A	15m - $\varnothing$ 1/2	M 1/2	F 1/2	250	120	285	110	90	18
500.020.A	25m - $\varnothing$ 1/2 - 3/8 - 5/16								21
500.035.A	40m - $\varnothing$ 3/8; 50m - $\varnothing$ 5/16								28
501.015.A	15m - $\varnothing$ 1/2 - 5/8	F 1/2	F 1/2	20	80	280	105	85	18
501.020.A	25m - $\varnothing$ 1/2 - 5/8								21
501.035.A	35m - $\varnothing$ 1/2								28
				P. 4					

# AUTO A2 - POS. B

(REV. A)



Codice <i>Code</i>	Lunghezza e diametro tubo consigliati <i>Recommended hose length and diameter</i>	Raccordi <i>Connection</i>		Pressione <i>Pressure</i>	Temperatura massima <i>Maximum temperature</i>	Dimensioni <i>Dimensions (mm)</i>			<i>Peso</i> <i>Weight</i>
		IN	OUT			bar	°C	A	
500.015.A	15m - $\varnothing$ 1/2	M 1/2	F 1/2	250	120	285	110	90	18
500.020.A	25m - $\varnothing$ 1/2 - 3/8 - 5/16								21
500.035.A	40m - $\varnothing$ 3/8; 50m - $\varnothing$ 5/16								28
501.015.A	15m - $\varnothing$ 1/2 - 5/8	F 1/2	F 1/2	20	80	280	105	85	18
501.020.A	25m - $\varnothing$ 1/2 - 5/8								21
501.035.A	35m - $\varnothing$ 1/2								28
				P. 5					